

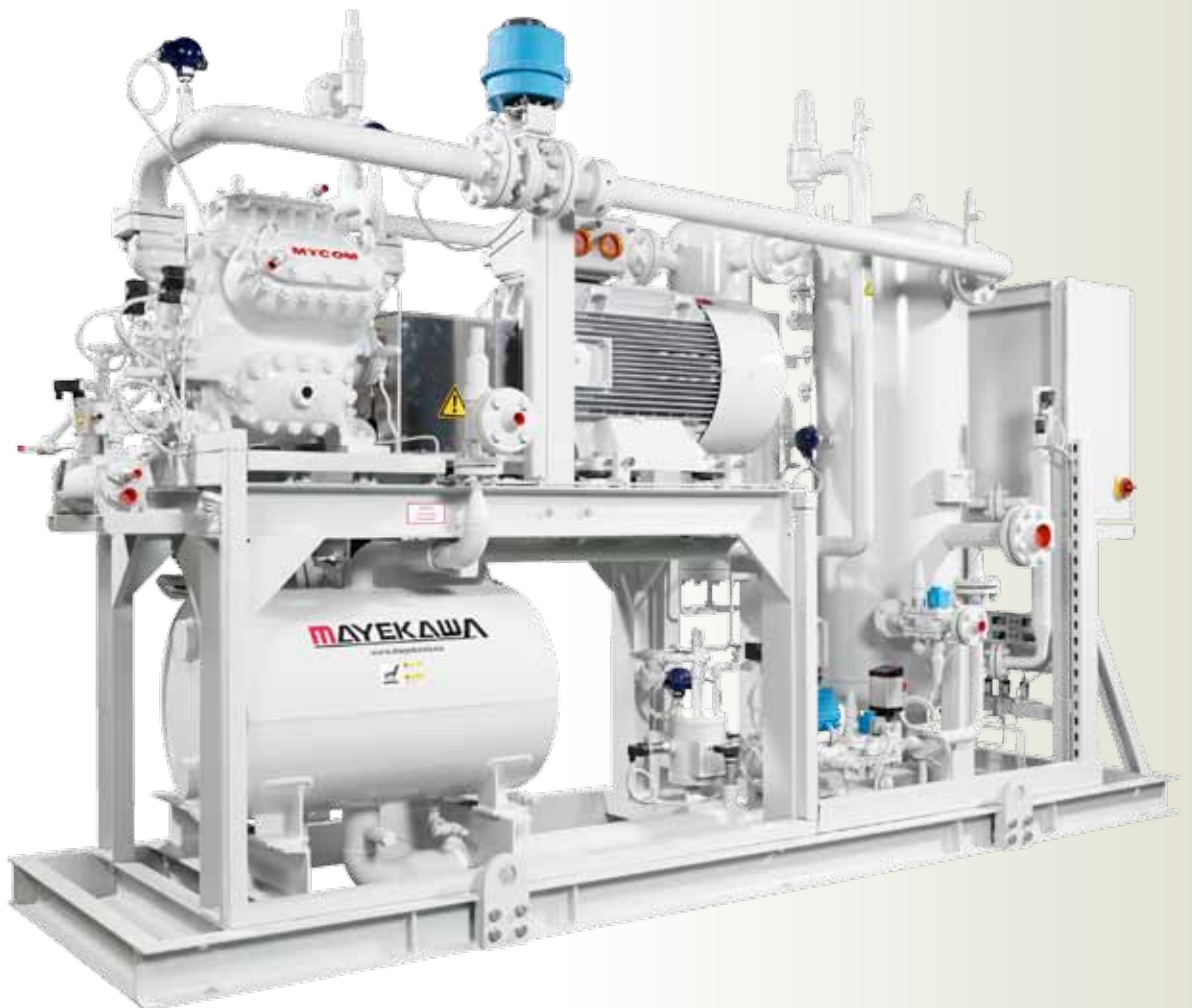
MAYEKAWA

MYCOM



MAYEKAWA NEW STANDARD HIGH STAGE HEAT PUMP

PLUS **HEAT** 改X



MAYEKAWA
MAYEKAWA Europe nv/sa

The MAYEKAWA **PLUS+HEAT_χ** (KAI)

products belongs to the MAYEKAWA 'NATURAL 5' program, and introduces herewith a new generation of energy saving equipment, using the MAYEKAWA N6HK high pressure compressor (50 bar) with natural refrigerant NH₃ (GWP=0).

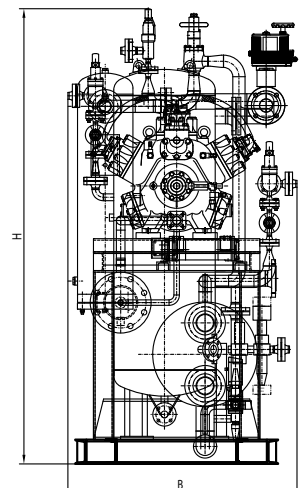
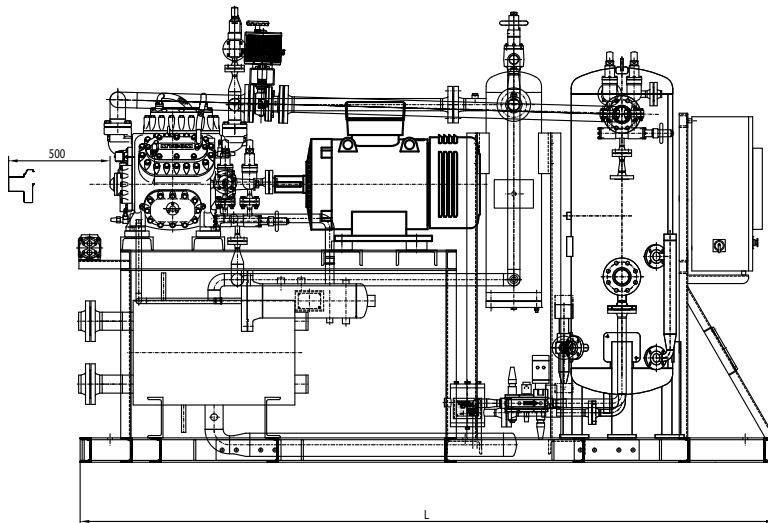
MAYEKAWA Plus+HEAT_χ is using condenser heat from the refrigeration plant.

MAYEKAWA Plus+HEAT_χ takes the gas from the high pressure side of the refrigeration plant at the refrigeration compressor outlet to the low pressure side of the heat pump compressor via mounting open flash tank.

It is clear that this application leads to a very important reduction on use of fossil energy: **MAYEKAWA Plus+HEAT_χ** consumes much less then when using a steam boiler, resulting in energy cost reduction, which also applies on the reduction of direct CO₂ emissions. The system has also the additional benefit of a shorter installation time as the packaged unit can easily be connected to the existing system.

Also you can select sensible heat recovery heat exchanger and/or liquid heat recovery heat exchanger as options. We can provide higher C.O.P system if you will select options.

Dimension of **PLUS+HEAT_χ**

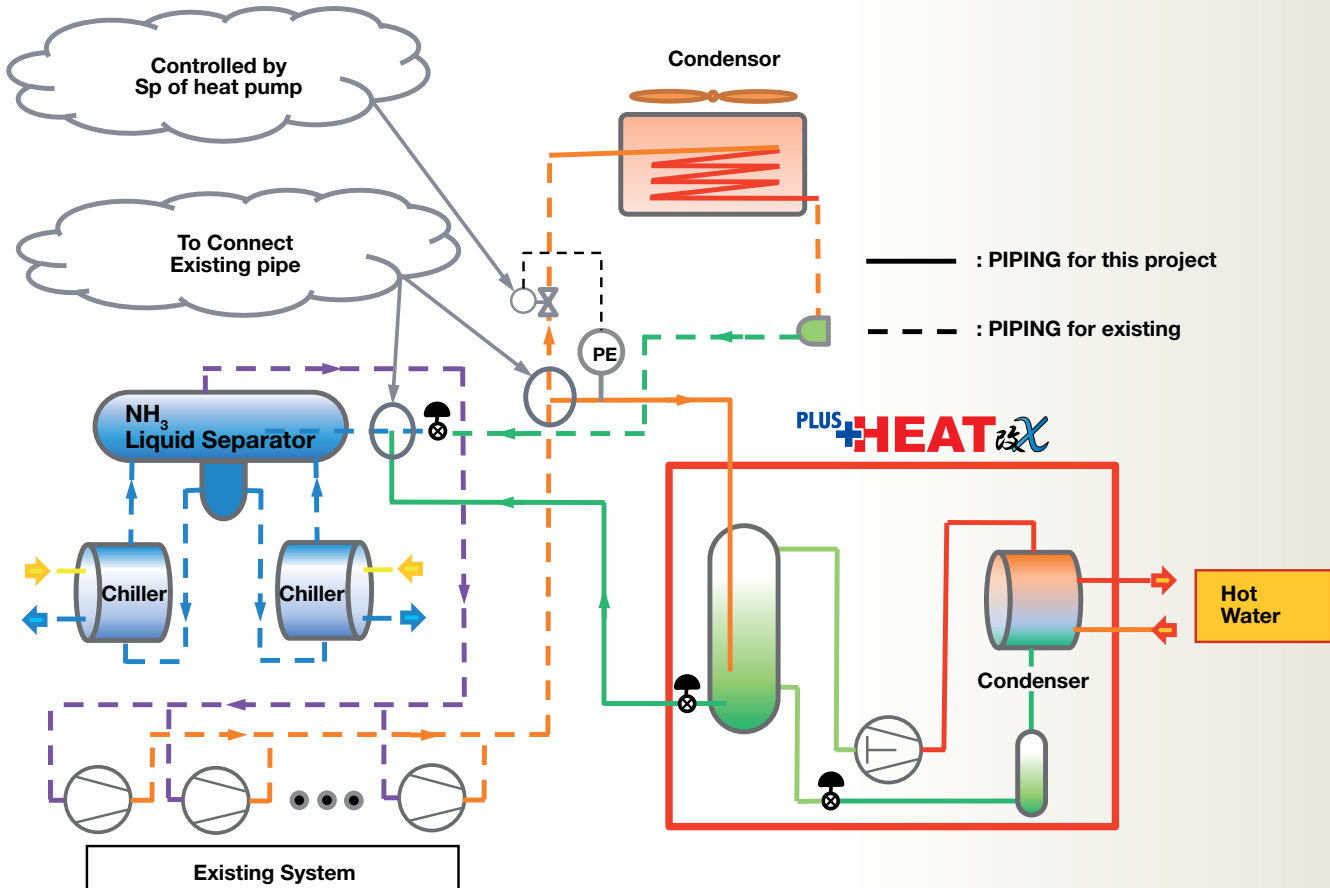


*Above drawing is subject to change without notice

Specification

Refrigerant			Ammonia (R717)					
Type			PHX-R90		PHX-R110		PHX-R132	PHX-R132H
Outlet Hot Water Temperature		°C	60	65	70	75	80	85
Condensing temperature of low stage		°C	35					40
Capacity	Heating Capacity	kW	523	510	496	480	465	523
	Absorbed Power	kW	64,1	74	83	89	99	110
	C.O.P heating	-	8,2	6,9	6,0	5,4	4,7	4,8
Design pressure (SP/DP)		barÜ	20/50					20/55
Power Supply			400V 3φ 50Hz / 230V 1φ 50Hz					
Type of Compressor			N6HK (Receiprocating Compressor)					
Motor size (4P IP55 IE2)		kW	90		110		132	
Starter		-	your selection					
recommendable oil		-	depending on oil of existing system - please contact us					
Condenser	Type	-	Shell & Plate type heat exchanger					
	Temperature of Hot water	°C	55/60	60/65	65/70	70/75	75/80	80/85
	Flow rate of hot water	m³/h	90,0	87,7	85,2	82,6	79,9	90,0
Dimension	Wide (B)	mm	1050					-
	Length (L)	mm	3500					-
	Height (H)	mm	2250					-
	Weight	kg	3000		3200		3300	

System reference of PLUS+HEAT_{23X}



WORLDWIDE

- 35 countries / 122 offices
- 8 production plants



Europe Organization

SWITZERLAND

Rosenbergstrasse 31, 6300 Zug
Tel. +41 41 726 8626
Fax +41 41 726 8620
<http://www.mayekawa.ch>
E-mail info@mayekawa.ch

SPAIN

Calle Montevideo 5, Nave 13
Pol. Industrial Camporroso
28806 Alcala de Henares, Madrid
Tel. +34 91 830 0392
Fax +34 91 830 0397
<http://www.mayekawa.es>
E-mail mayekawa@mayekawa.es

GERMANY

Munich Office

Untere Bahnhofstrasse 38a, 82110 Germering
Tel. +49 89 5527 989 0
Fax +49 89 5527 989 19

Hamburg Office

Weidestraße 122a, 22083 Hamburg
Tel. +49 40 27889149 0
Fax +49 40 27889149 9
E-mail info@mayekawa.de

FRANCE

East Branch Office

9, Rue Michael Faraday
78180 Montigny-Le-Bretonneux
Tel. +33 1 30 58 26 00
Fax +33 1 30 58 19 37

West Branch Office

6, Square des Pruniers
22400 Lamballe
Tel. +33 2 96 76 59 13
Fax +33 1 30 58 19 37
Email mayekawa.france@mayekawa.eu

UNITED KINGDOM

16 Oakhurst Gardens
DA7 5JP Bexleyheath, Kent
Tel. +44 1322 433558
Fax +44 1322 433164

RUSSIA

House 3, Flat 54, Mytnaya St.
119049 Moscow
Tel. +7 499 230 01 76
Fax +7 499 230 21 12
<http://www.mayekawa.ru>
E-mail info@mayekawa.ru

BULGARIA

Kamen Andreev Str. 24, 1303 Sofia
Tel. +359 2 8910130
Fax +359 2 8910131

DUBAI

P.O.Box 61349, W-HOUSE No.RA-08-UC05
Jebel Ali Free Zone Dubai, UAE
Tel. +971-4-888-6363
Fax +971-4-888-6373

INDIA

Mayekawa India PVT. LTD.
309, Centrum Plaza, Golf Course Road
Sector-53, Gurgaon
Haryana
Tel. +91 124 4206611 16
Fax +91 124 4206618

AUSTRALIA

Unit 2,44 McCauley Street
NSW 2036 Matraville
Tel. +61 2 9695 7000
Fax +61 2 9695 7001
<http://www.mayekawa.com.au>
E-mail mycomaus@mayekawa.com.au

NEW ZEALAND

Unit 2, 30 Tui Street Otahuhu
Auckland
Tel. +68 9 276 2305
Fax +68 9 276 2306
E-mail info@mayekawa.co.nz

ITALY

Via Riccardo Lombardi 19/12
20153 Milano
Tel. +39 2 48929218
Fax +39 2 4531728

TURKEY

Dunya Ticaret Merkezi
A/2 Blok Kat:10 No:325 Yesilkoy, Istanbul
Tel. +90 212 465 36 31 34
Fax +90 212 465 36 35

JAPAN HEAD OFFICE

3-14-15 Botan Koto-ku
Tokyo 135 8482, JAPAN
Tel. 81 3 3642 8181
Fax 81 3 3643 7094
E-mail e-public@mayekawa.co.jp

MAYEKAWA Europe nv/sa

Leuvensesteenweg 605
1930 Zaventem - Belgium
Tel. +32 2 757 90 75
Fax +32 2 757 90 23
<http://www.mayekawa.eu>
E-mail info@mayekawa.eu